

LEVO combi

The Mid-Wheel power wheelchair with stand-up function and complete seating systems

LEVO combi



LEVO stands for a better quality of life

LEVO.dt⁺
THE EXPERTS IN STANDING

At eye level with life

This is LEVO: The touch of a switch elevates you to a safe, comfortable standing position to interact with your active life. At work, in school or at home, LEVO standing wheelchairs, offer exactly what you need: Independence, Mobility, Support, Health and Quality. Each wheelchair is designed from the experience of more than 40 years of research, development and client response. LEVO is proud to offer wheelchairs that combine seating and standing positions matched to your unique biomechanical dynamics with superior maneuverability, size, weight, aesthetics and adjustability. All models are reviewed and certified by internationally approved testing institutes.



LEVO combi / combi jr

Enjoy the environment: one wheelchair everywhere, everyday

You need power mobility but you want a customized chair that fits into your everyday life and environment. Welcome to the LEVO combi mid-wheel power base: a design that maximizes maneuverability, turning radius and overall traction for life's ups and downs. The seating system on the power base is the best combination of seated, stand and recline offered in the industry. You can even transition directly from full recline to full standing – smoothly, securely and stop

anywhere in between. In any position you can engage the world with power mobility – move, turn, reverse – all while in any of the multiple and customized seating positions that you choose for your chair. The LEVO combi easily maneuvers within your home, your work, indoors, outdoors, all while ensuring stability, safety, multiple seating and standing positions to enhance and extend quality of life.



Back and knee adjustment to reduce shear

Intelligent control system of PG-Drive Technology



Seating/Standing

- Precisely engineered chair design for exceptionally smooth and low shear transition between all standing and seating functions
- Standing, seat- and back angle adjustment, seat lift, tilt, recline
- Customized match to individual body mechanics and chair design
- Numerous health benefits because of more frequent standing

Power base

- Compact size and weight with excellent power maneuverability, response and traction
- Center wheel drive provides for the smallest turning circle
- Stable and safe driving in seated or standing position (automatic program for controlled standing speed.)
- Safely and effectively climbs and descends ramps up to 10°
- Multiple programming options for maximum choice
- Whisper quiet drive and seating operation

simply attend to...

The powered LEVO combi jr means secure and active support for your child. The extremely agile power wheelchair optimizes participation into all of your child's opportunities and activities. School – Home – Play. Like the adult version, the LEVO combi jr has multiple power seating systems including the LEVO designed and industry leading standing capability. (Your child can drive the LEVO combi jr even while in the standing position.) Easy adjustable growth plates, components and a wide range of accessories and options let the LEVO combi jr smoothly grow with your child for many years.

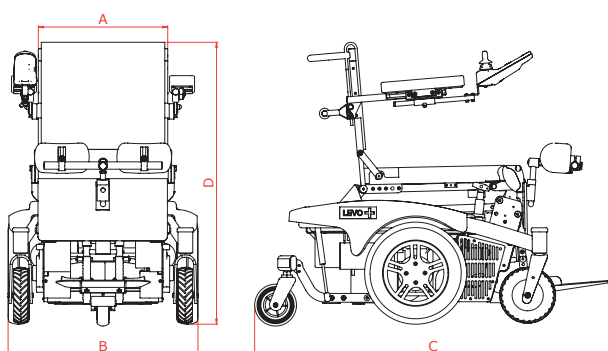


Use the LEVO combi everywhere, everyday

LEVO Stands for a better quality of life

Highlights

- User-friendly, simple handling
- Smooth seat/standing positioning movement
- Compact maneuverability for tight spaces
- Safe and secure stand-up operation elevating to any and all angles between sitting and 85° standing
- Adjustable for upper and lower leg, foot position and back angle
- Max. user weight up to 265 lbs
- Wide range and style of options, accessories and control switches
- Multiple color options
- Easy accessibility for maintenance and service updates
- Certificates: TÜV, CERAH, HI, FDA/510(k), Crash Test



Technical Data

Model	combi		combi jr
	S – M	L – XL	XS – S
Seat width (A)	15 / 17.3 / 19.7		11.8 / 13.8 / 15
Total width (B)	25		25
Total length (C)	47		47
Total height (incl. Backrest upholstery) (D)	36.6 – 42.5		36.6 – 42.5
Seat height (with seat cushion)	19.7 – 25.6		19.7 – 25.6
Seat upholstery depth	11.4 – 16.5	15.7 – 20.9	9.5 – 12.2
Armrest height	6.7 – 9.8		5.9 – 13
Back height (with standard backrest upholstery)	17.2		17.2
Foot rest height	14.6 – 22.8		9 – 18.5
Turning circle	48		48
Speed	3.7 / 5 / 6.2 mph		3.7 / 5 mph
Range	15.5 miles		15.5 miles
Max. safe slope	10°		10°
Curb climbing ability	3.1		3.1
Max. chair weight	375 lbs		375 lbs
Max. user weight	265 lbs		265 lbs
Transportdimension	36.6 x 26 x 26.4		36.6 x 26 x 26.4

All measurements in inch and pound. Discrepancies in the measurements may arise due to wheelchair modifications.

Standard Configuration

- Backrest upholstery
- Flip-up armrests, height adjustable
- Flip-up footrest
- Knee support and chest strap
- Length adjustment backrest and height adjustment armrest
- Manual seat height adjustment
- Powered stand-up function
- Powered driving in sitting and standing
- Powered lying-standing direct function if option reclining included
- Set of batteries and charger
- PGDT controller R-net

Options/Accessories

- Swing away joystick
- Lights and indicators
- V-Trak back system
- V-Trak head and thoracic support
- Powered seat lift 5.9 inch
- Powered reclining backrest / legrest
- Foam seat cushion
- Assorted knee supports and footrest wedges
- Chest role
- Table tray
- Skirt guard
- Vehicle tie-down kit
- Push handle bar
- ... many more on request

Colors

3 standard colors red, blue, black and 190 more color Options

Distributor:

Manufactured by:

LEVO AG
Switzerland

Anglikerstrasse 20
CH-5610 Wohlen

Tel. +41 (0)56 618 44 11
Fax. +41 (0)56 618 44 10

office@levo.ch
www.levo.ch

LEVO.dt⁺
A Dane Technologies Company